

4x4

**TOUGH &
DEPENDABLE**

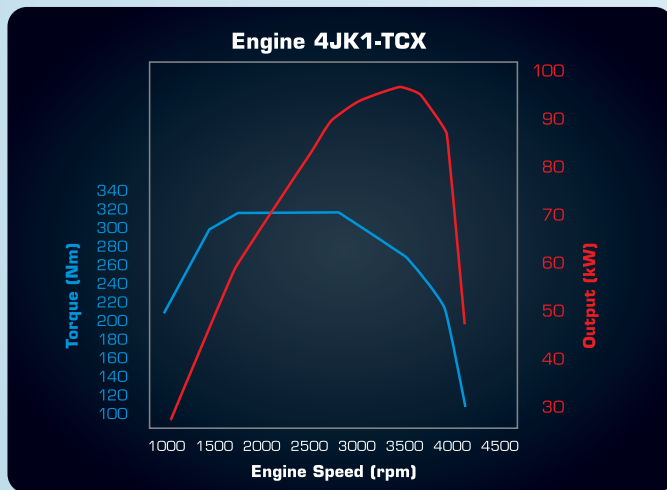
All-New

ISUZU
D-MAX

SINGLE CAB



Powerful and Fuel Efficient



Performance Curve

The powerful 4JK1-TCX engine unleashes a torque output of up to 136ps and 320Nm.



Variable Geometry System (VGS)

Isuzu's all-new Variable Geometry System (VGS) Turbocharger delivers high output, lowers emissions and uses less fuel.



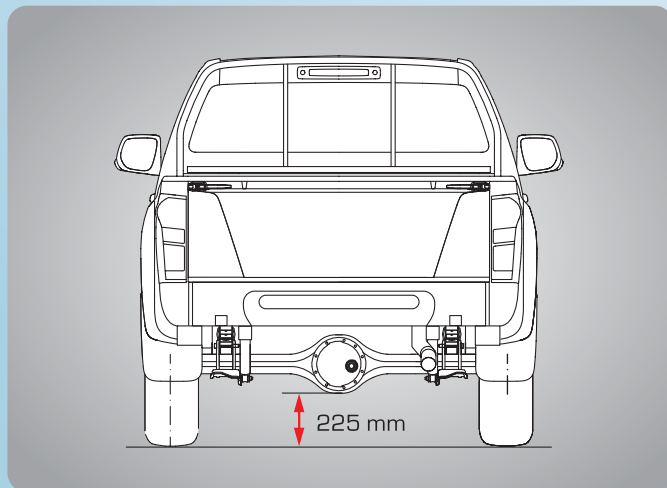
Aerodynamic Perfection

The all-new D-Max boasts one of the lowest Cd (coefficient of drag) figures in its class. This means minimal drag and high fuel efficiency.

Off-road Ability

Ride and handling of the all-new Isuzu D-Max has also improved with a newly developed, "i-Grip" (Isuzu Gravity Response Intelligent Platform). Independent double wish-bone suspension with coil springs and gas shock absorbers guarantee superior front end grip and steering control, while over-slung rear springs increase 4WD driving performance and improve stability under every road condition with or without loading the vehicle.

**i-GRIP
PLATFORM**



Highest Ground Clearance*

Easier driving on off-road surfaces with 225mm ground clearance.



Over-slung Rear Springs

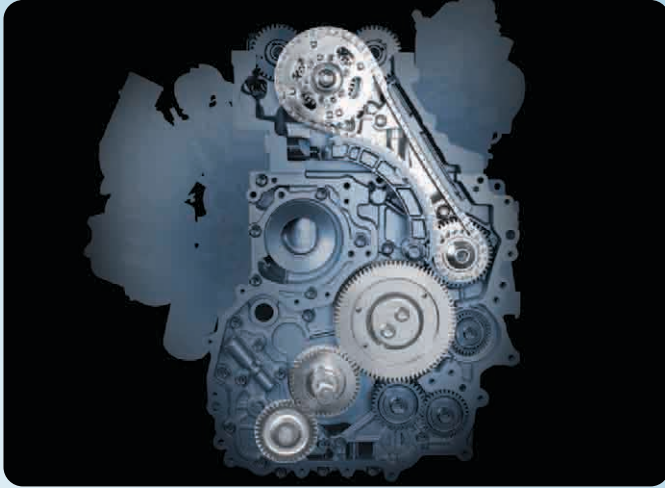
Performs better off-road with less possibility of undercarriage damage.



Terrain Command

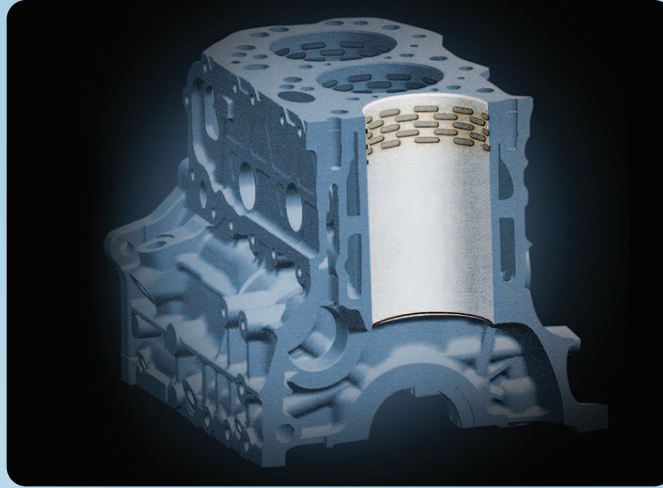
"Terrain Command" 4WD system allows for simple shift to 2WD high, 4WD high or 4WD low.

Durability



Steel Timing Chain

Assures reliability by minimising the possibility of the chain snapping.



Melt-in Liner

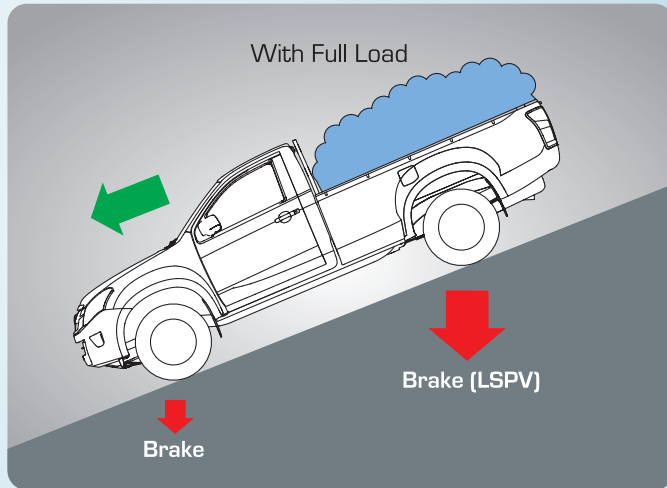
Anti-friction melt-in liner technology strengthens the cylinder for a longer lifespan.



Strong and Durable Chassis

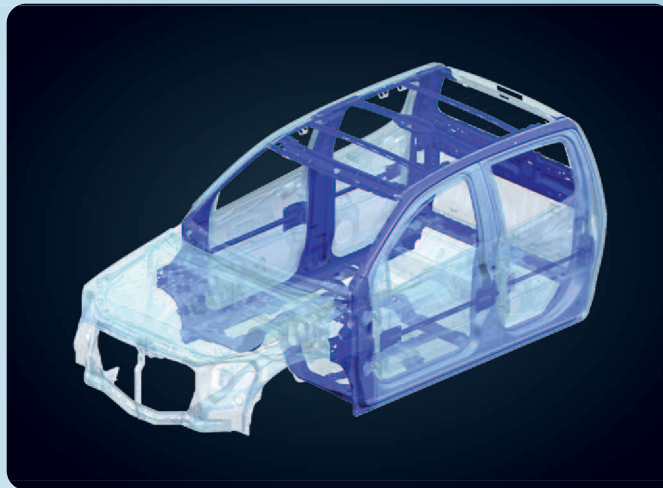
Ladder chassis with high cross member section and additional braces for increased rigidity, safety and load carrying capacity.

Safety



Load Sensing Proportioning Valve (LSPV)

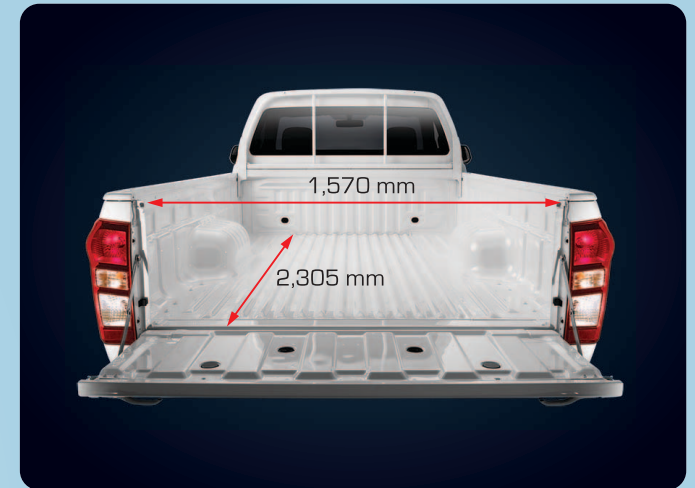
Senses the vehicle load and distributes an effective brake force according to the axle load to avoid skidding when braking hard.



High Tensile Steel and Tailor Blank Welding Cabin

This cabin comprises high tensile steel and tailor blank welding for extra strength and rigidity of the passenger safety cell.

Practicality



Biggest Cargo Deck*

Carry more items on a single journey with a bigger cargo capacity.

**Best in 4x4 Single Cab*

SPECIFICATIONS

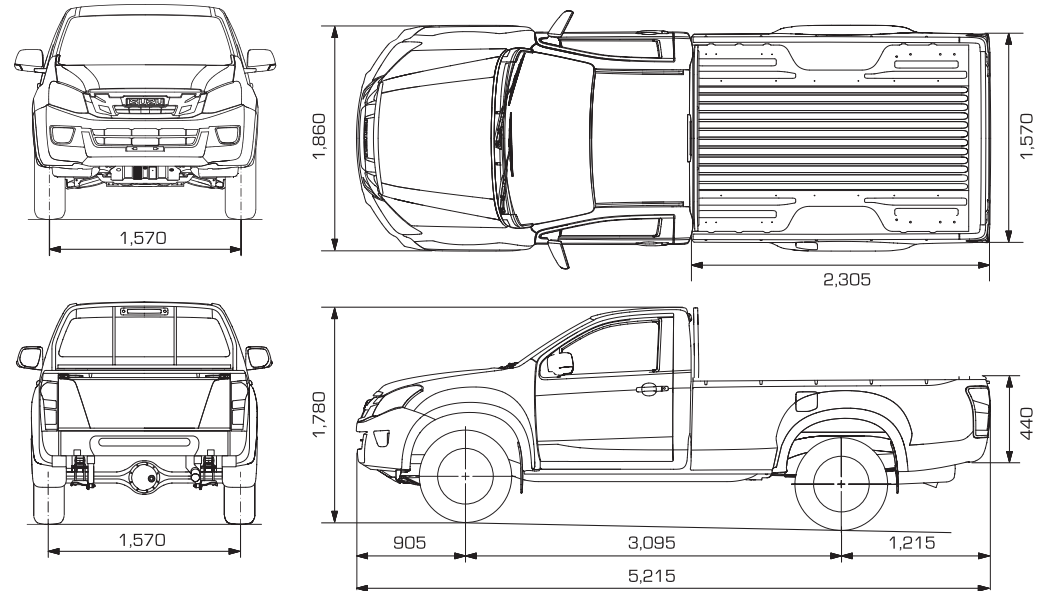
D-MAX SINGLE CAB 2.5L (4X4)							
Engine							
Model	4JK1-TCX						
Type	In-line 4-Cylinder VGS Turbo Intercooler Diesel DOHC 16V						
Displacement (cc)	2,499						
Bore x Stroke (mm)	95.4 x 87.4						
Compression Ratio	18.1 : 1						
Maximum Output (kW (PS)@rpm) (ISO NET)	100 (136) @ 3,600						
Maximum Torque (Nm (kgm)@rpm) (ISO NET)	320 (32.6) @ 1,800 - 2,800						
Fuel System	Direct Injection Electronic Common-rail						
Transmission							
Gear Ratio	1st	2nd	3rd	4th	5th	Reverse	Final
5-Speed M/T	4.008	2.301	1.427	1.000	0.745	3.651	4.100
Weight & Capacities							
Gross Vehicle Weight (kg)	2,800						
Fuel Tank Capacity (l)	76						
Suspension & Brake							
Suspension	Front	Independent Double Wishbone with Coil Springs & Stabiliser					
	Rear	Semi Elliptical Leaf Springs					
Brakes	Front	Ventilated Disc					
	Rear	Leading & Trailing Drum					
Tyres & Wheels							
Tyres	245/70R16						
Wheels	Steel 16"						
Steering							
Steering System	Rack and Pinion with Power Assist						
Min. Turning Radius (m)	6.3						
Safety Features							
Body Construction	Reinforced Cabin with Front & Rear Safety Crushable Zones						
Side door Impact Beams	Equipped						
Collapsible Steering Column	Equipped						
Limited Slip Differential (LSD)	Equipped						
Load Sensing Proportional Valve (LSPV)	Equipped						
Seat Belts	3-Point ELR (LAP + ELR Adjustable Shoulder)						
High Mount Stop Lamp	Equipped						
Alarm System	Immobiliser						

Isuzu Malaysia Sdn.Bhd. is engaged in an ongoing research and development programme, and reserves the right to change specifications, resulting in advancements or technical refinements, without prior notice. All product specifications are within normal manufacturing allowances and tolerances.

ISUZU

ISUZU MALAYSIA SDN BHD (664946-H)
 501D, LEVEL 5, TOWER D, UPTOWN 5, NO 5, JALAN SS21/39, DAMANSARA UPTOWN
 47400 PETALING JAYA, SELANGOR DARUL EHSAN
 GENERAL LINE: 03-7723 9777 FAX: 03-7723 9779 HOTLINE: 1-300-88-1133
 WEBSITE: www.isuzu.net.my

DIMENSIONS (Unit: mm)



Available in Magnum White Solid



Dealer's Information